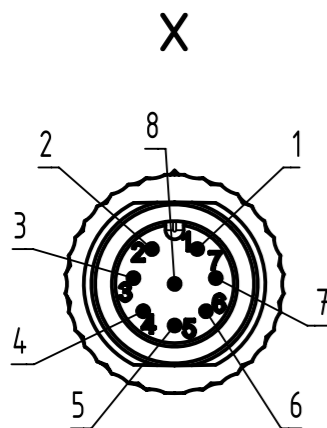
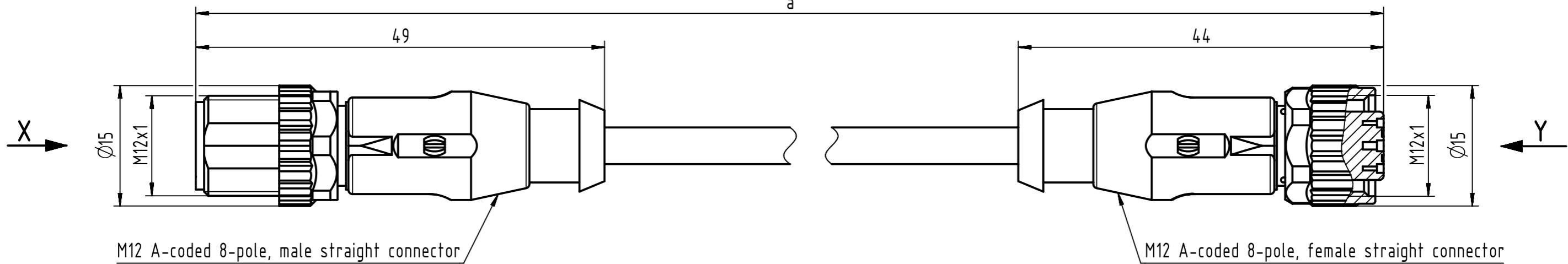


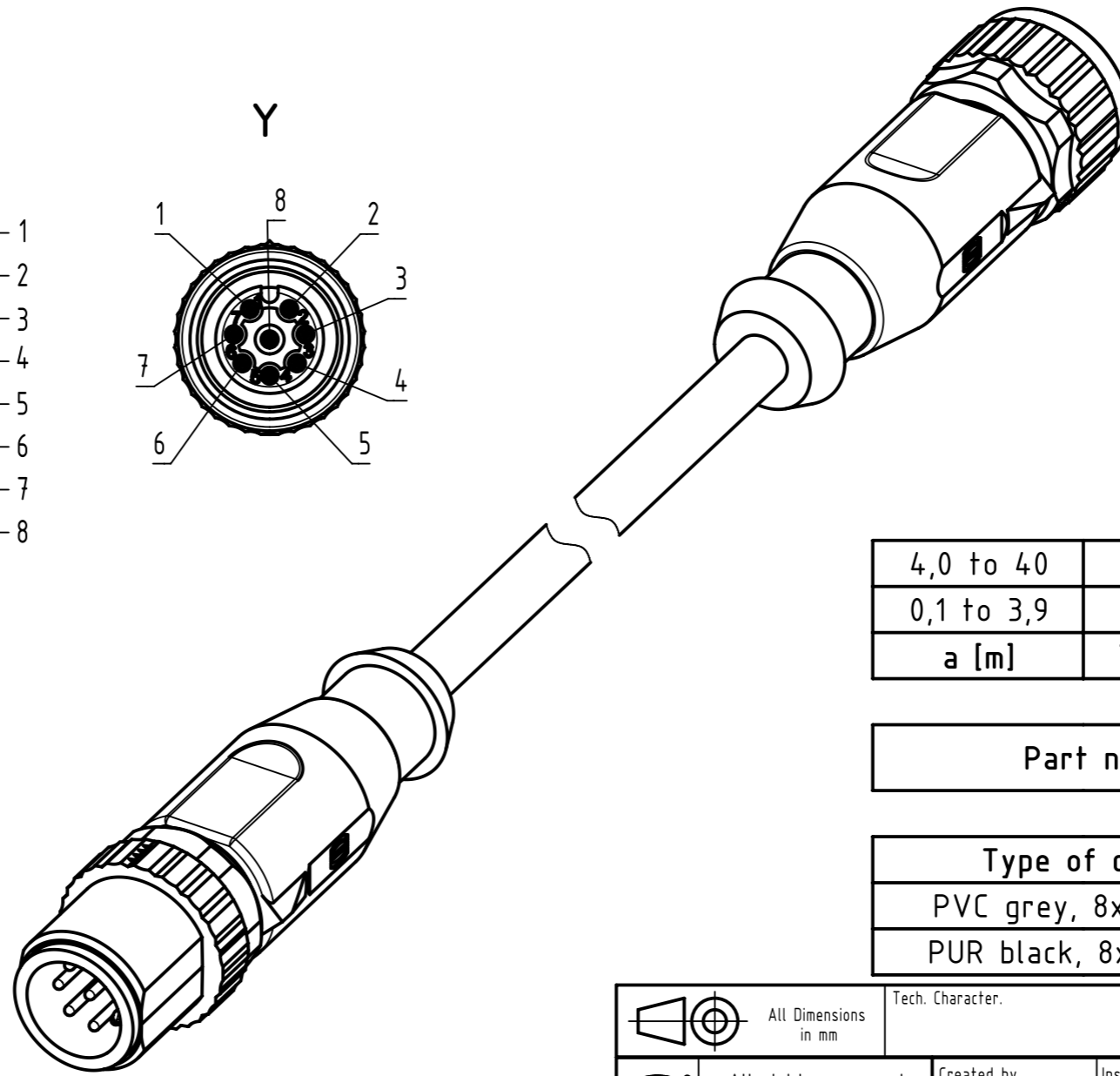
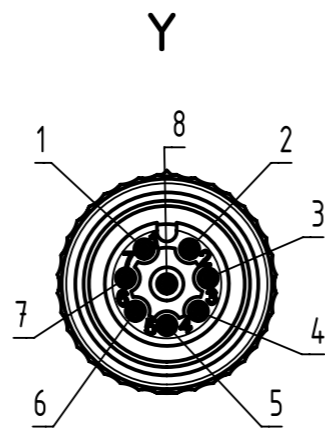
Connector Location A

Connector Location B



Loading-Plan:

- 1 white 1
- 2 brown 2
- 3 green 3
- 4 yellow 4
- 5 grey 5
- 6 pink 6
- 7 blue 7
- 8 red 8



| | | |
|-----------------------|-----|---------|
| length in "1m" step | 40 | XXX=400 |
| | 39 | XXX=390 |
| | . | . |
| | 12 | XXX=120 |
| length in "0,1m" step | 11 | XXX=110 |
| | 10 | XXX=100 |
| | 9,9 | XXX=099 |
| | 9,8 | XXX=098 |
| | . | . |
| Step | 0,4 | XXX=004 |
| | 0,3 | XXX=003 |
| | 0,2 | XXX=002 |
| | 0,1 | XXX=001 |

| | |
|--------------|------------------|
| 4,0 to 40 | +1% |
| 0,1 to 3,9 | +0,04 |
| a [m] | Tolerance |

| | |
|----------------------------------|----------------|
| Part no. | 213484858XXXXX |
| Type of cable | XX |
| PVC grey, 8x0.25mm ² | XX=82 |
| PUR black, 8x0.25mm ² | XX=70 |

- Protection level: IP67
 - Temperature range: -25°C ... +80°C

| | | | | | | | | | | | | | |
|--|--|--|--|-----------------------|--|-----------------------|--|---------------------------|--|--|--|------------------------|--|
| | | All rights reserved Department HCS - RO | | Created by POPESCU | | Inspected by TAMAS | | Standardisation COSTEA | | Date 2016-12-16 | | State Final Release | |
| HARTING Customised Solutions D-32427 Minden | | Title M12 A-coded Cable Assembly | | | | Type TB | | Number 213484858XXXXX | | Doc-Key / ECM-Nr. 100578827/UGD/009/E 500000112808 | | Rev. E | |
| | | | | | | | | | | Page 1/1 | | | |