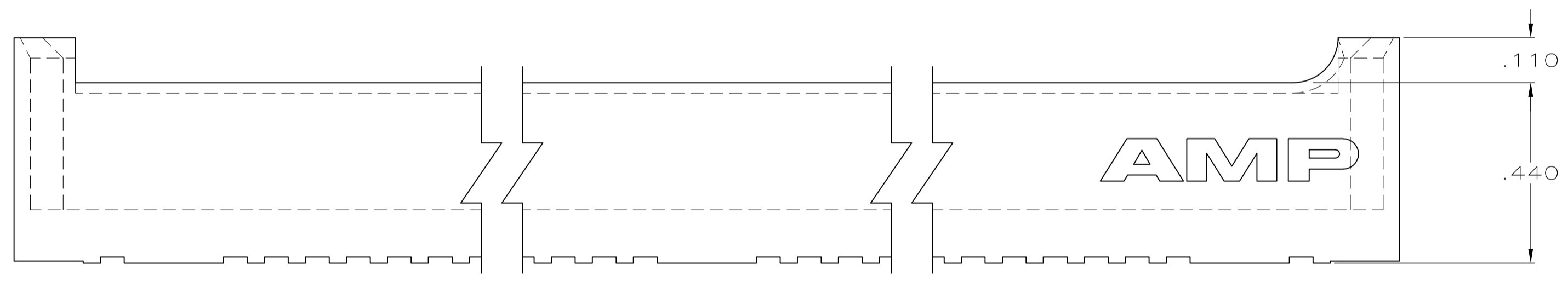
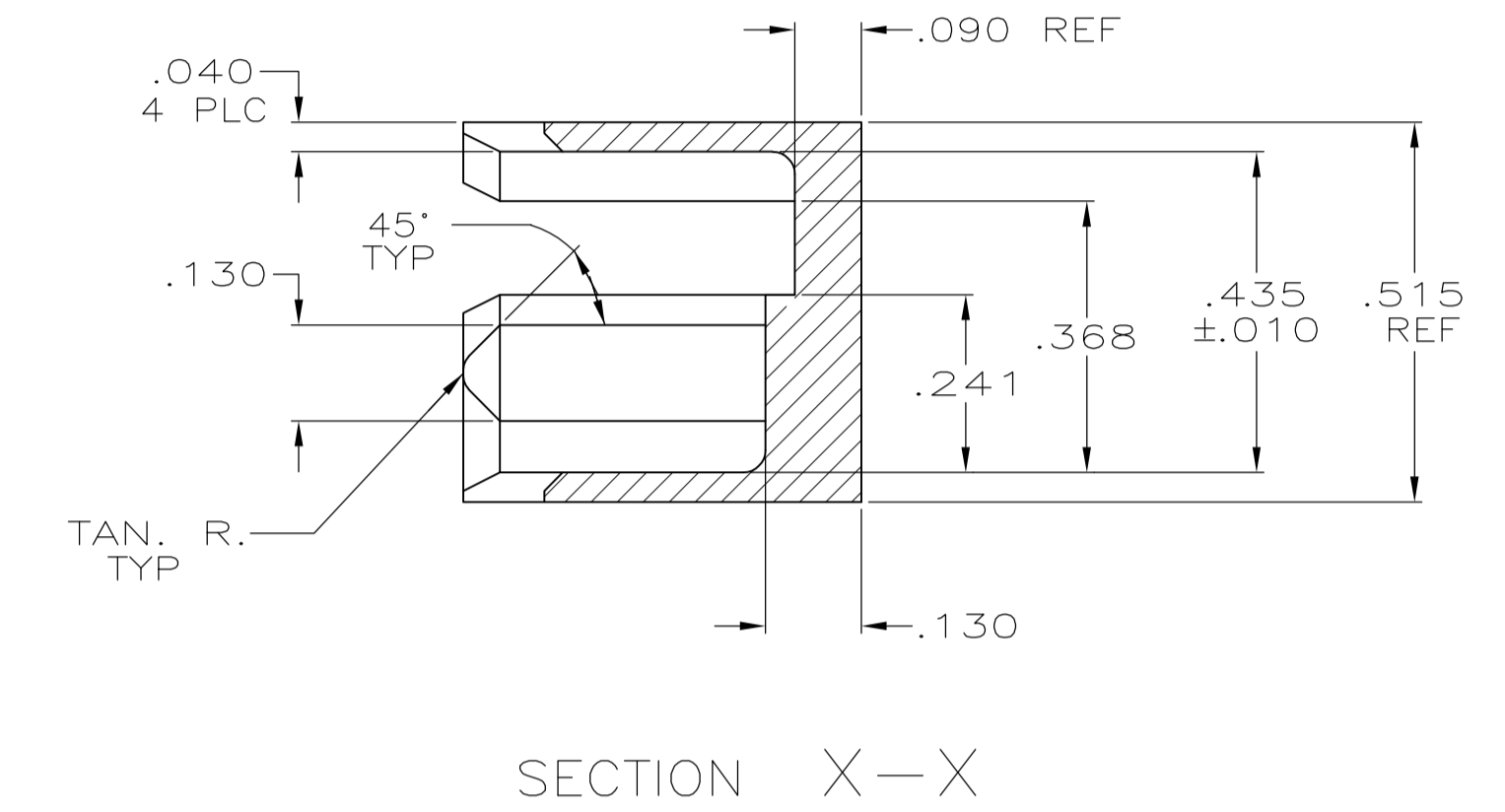
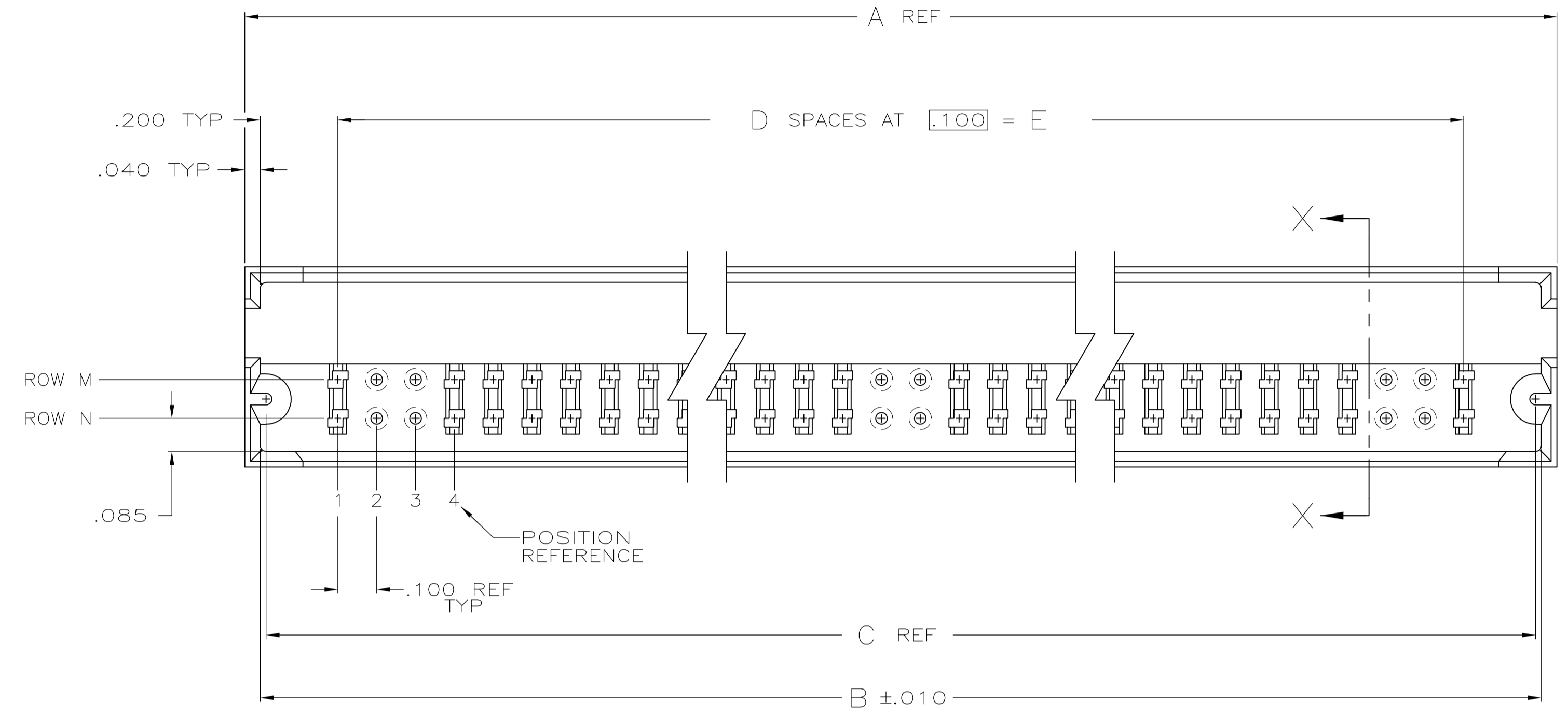


LOC		DIST		P		F		ZONE		LTR		REVISIONS		DATE	APPD
AD	39														



1 GLASS FILLED NYLON, COLOR-BLACK.

	2,3,25,26,48,49	2,3,25,26,48,49	4.900	49	5.270	5.300	5.380	100	534956-4
OBSOLETE	2,3,20,21,38,39	2,3,20,21,38,39	3.900	39	4.270	4.300	4.380	80	534956-3
OBSOLETE	2,3,35,36,68,69	2,3,35,36,68,69	6.900	69	7.270	7.300	7.380	140	534956-2
OBSOLETE	2,3,32,33,63,64	2,3,32,33,63,64	6.400	64	6.640	6.800	6.880	130	534956-1

ROW M	ROW N	E	D	C	B	A	NO OF POSN	PART NUMBER
SELECTED INTERFERENCE HOLES								

DO NOT SCALE PRINT. UNLESS SPECIFIED DIMENSIONS IN mm [INCHES] TOLERANCES - ON : 2 PLC DEC ± .005 3 PLC DEC ± - ANGLES ± -	DR 11/12/92 J. MARTINELLI CHK 11/12/92 D SARVER APPD 11/12/92 D SARVER
MATERIAL 1	APPD 11/12/92 H PALEY PRODUCT SPEC
FINISH	APPLICATION SPEC
WEIGHT	

AMP Incorporated Harrisburg, PA 17105-3608		
NAME HOUSING, MOD II, DBL ROW .100 X .100 ϕ , W/ GUIDE PINS, WITH SELECTIVE INTERFERENCE HOLES		
SIZE D	CAGE CODE 00779	DRAWING NO 534956
SCALE 4:1	SHEET 1 OF 1	

THIS DRAWING IS A CONTROLLED DOCUMENT FOR AMP INCORPORATED. IT IS SUBJECT TO CHANGE AND THE CONTROLLING ENGINEERING ORGANIZATION SHOULD BE CONTACTED FOR THE LATEST REVISION.