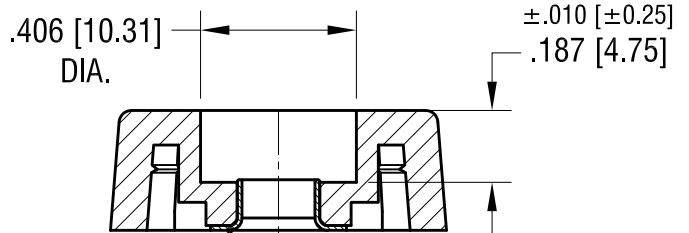
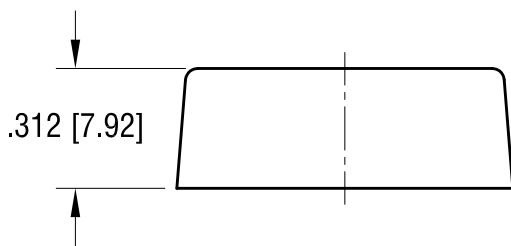
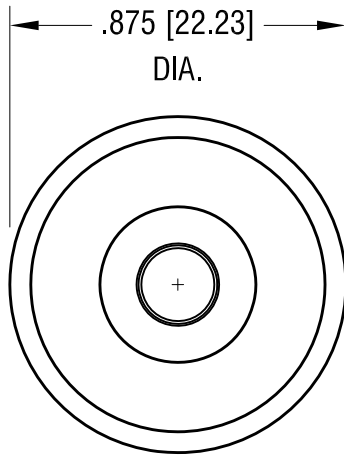
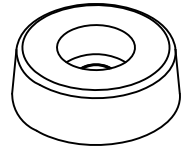


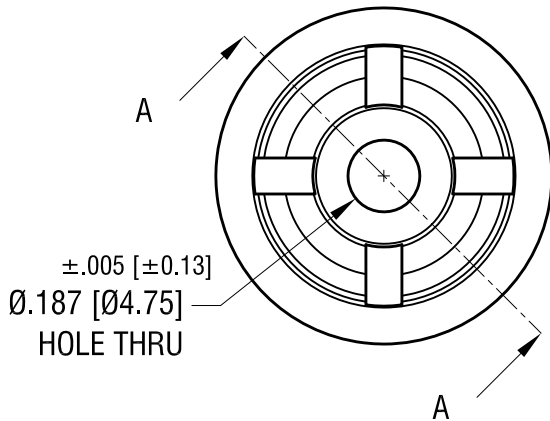
THIS DOCUMENT IS THE PROPERTY OF  
KEYSTONE ELECTRONICS CORP. AND  
SHALL NOT BE REPRODUCED, DISTRIBUTED  
OR USED AS A BASIS FOR MANUFACTURE  
WITHOUT PRIOR WRITTEN PERMISSION  
FROM KEYSTONE ELECTRONICS CORP.

ACTUAL SIZE



MOLDED-IN WASHER

SECTION A-A



**NOTES:**

- 1. BODY: MAT'L - THERMOPLASTIC RUBBER, GREY  
WASHER: MAT'L - STEEL, ZINC PLATE

**KEYSTONE ELECTRONICS CORP.**

www.keyelco.com • ASTORIA, N.Y. 11105-2017 • Tel (718) 956-8900

PART NAME		RECESSED BUMPER	
MATERIAL		AS NOTED	
FINISH	AS NOTED	DRN BY	BOONE
		APP'D	LN
		DATE	11.26.96
		SCALE	2X
TOLERANCES	INCH [MM]	CODE	DWG NO.
DECIMAL	± .020 [± 0.50]	C	725
ANGULAR	± 1°		
UNLESS OTHERWISE SPECIFIED			

7.08.15	CHANGE AS PER ECN 15-066	B
5.7.07	CHANGE AS PER ECN 07-021	A
DATE	DESCRIPTION	REV.